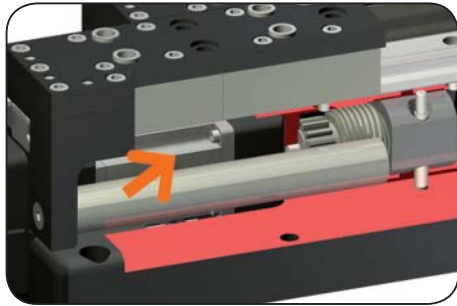


2-Jaw Parallel Grippers with Long Stroke

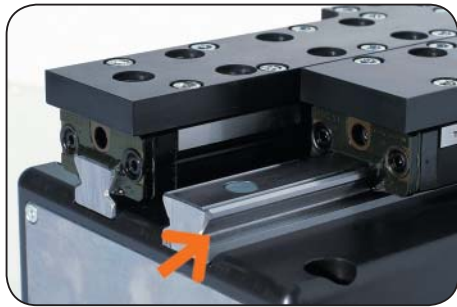
Highlights



Drive

AC servo motor in conjunction with pinion-worm gear

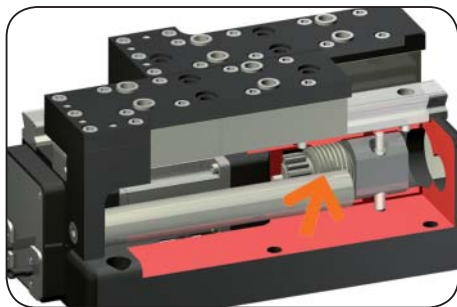
- High drive force when opening and closing
- Gripping force can be regulated up to 3200 N
- Programmable and positionable
- Data interface for standard market systems such as Profibus, Sercos, CANopen, DeviceNet and Parallel Interface



Guide

Heavy load linear guide

- Ideal for the highest transverse forces and torque intake
- 2 x 2 guide wagon with wipers
- For use under extreme conditions



Force transfer

Pinion worm gear

- Optimum force steering of drive force in gripping force
- Self-centering
- Synchronised
- High repeat accuracy



Gripping jaw intake

From individual gripping jaw via centring sleeve

- Precise positioning of individual gripping jaws
- Quick, cost-effective and therefore economical jaw changing

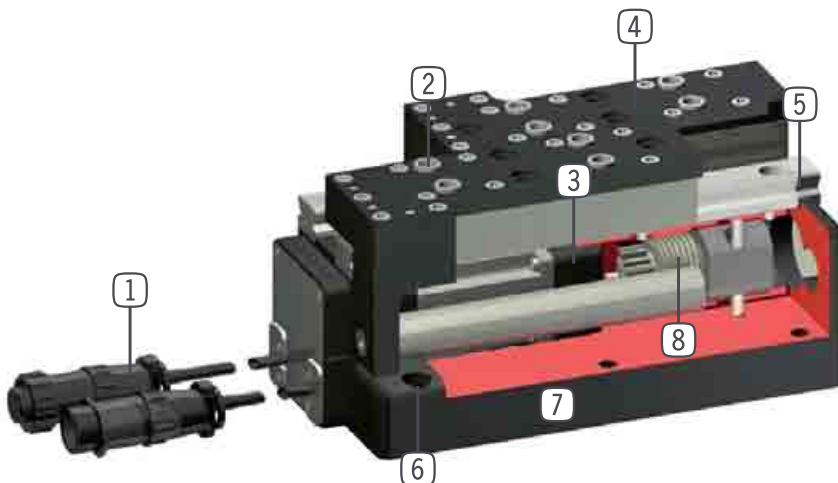


Terms

Gripping force:	arithmetic sum of the individual forces occurring at the jaws
Closing/opening time:	required time for the gripper jaws to cover the maximum stroke distance
Repeatability:	at end stops after 50/100 consecutive cycles
Gripping force safety:	the gripping force safety is guaranteed by the transmission. It of a worm wheel and gear
Cycle:	angle of rotation covered by the drive motor in an open and close movement
Maintenance:	recommended at 5 mil. cycles (please see the owner´s manual for conditions, download from www.sommer-automatic.com)
	- long maintenance intervals keep costs down
	- long lifespan

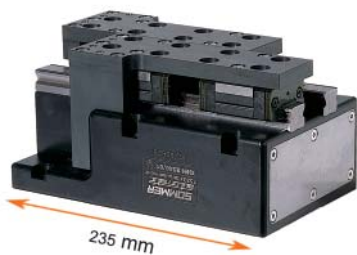
Design

- | | |
|---|---|
| <p>1 Energy feed</p> <ul style="list-style-type: none"> - motor cable, female - encoder cable, male | <p>5 Precise linear guide</p> <ul style="list-style-type: none"> - high force and moment intake - guide wagon with wiper for adverse environment |
| <p>2 Removable centring sleeve</p> <ul style="list-style-type: none"> - quick and cost-effective positioning of gripper jaw | <p>6 Fixing and positioning</p> |



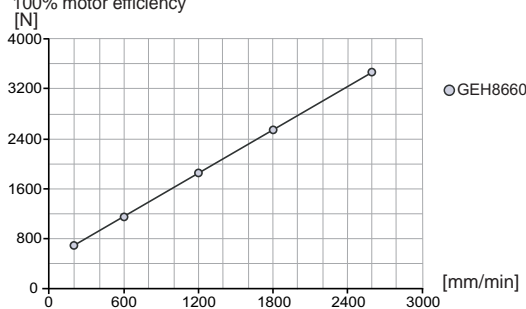
- | | |
|---|---|
| <p>3 Drive</p> <ul style="list-style-type: none"> - AC servo motor | <p>7 Robust, lightweight hosing</p> <ul style="list-style-type: none"> - hard, coated aluminium alloy |
| <p>4 Gripper jaw</p> <ul style="list-style-type: none"> - hardened steel - intake from individual gripping jaw | <p>8 Synchronisation</p> <ul style="list-style-type: none"> - via rack and pinion |

2-Jaw Parallel Grippers with Long Stroke

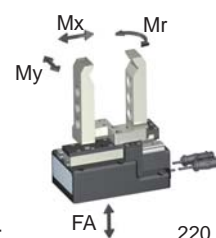


Picture shows GEH8660

Gripping force diagram
Gripping force vs the extension speed at 100% motor efficiency



Forces and moments
Max allowable forces and moments on jaw.



Mr [Nm]:	220
Mx [Nm]:	220
My [Nm]:	950
Fa [N]:	5000

Included with purchase



Centering sleeve
Order no.: **BDST41600**



Software CD
Order no.: **CD0004**

Recommended accessories



Commissioning CD*
Order no.: **ZUBHCSS**



Drive controller (STO)
Order no.: **ZUBHCS**



Power cable
Order no.: **see page 4**



Encoder cable
Order no.: **see page 4**



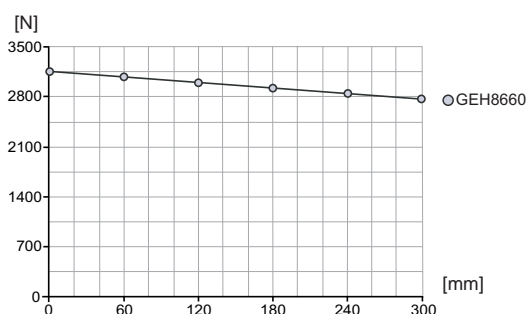
Interface cable
PC-control unite (1m)
Order no.: **ZUBHCSKAP01**



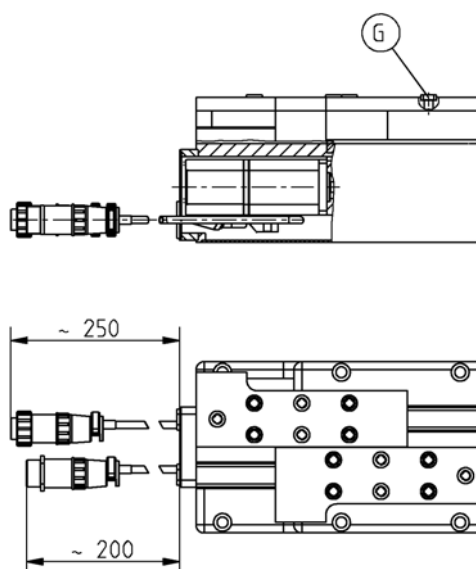
Line filter
Order no.: **ZUBHCSN**

Gripping force diagram

Gripping force as a function of gripper finger length



Accessory



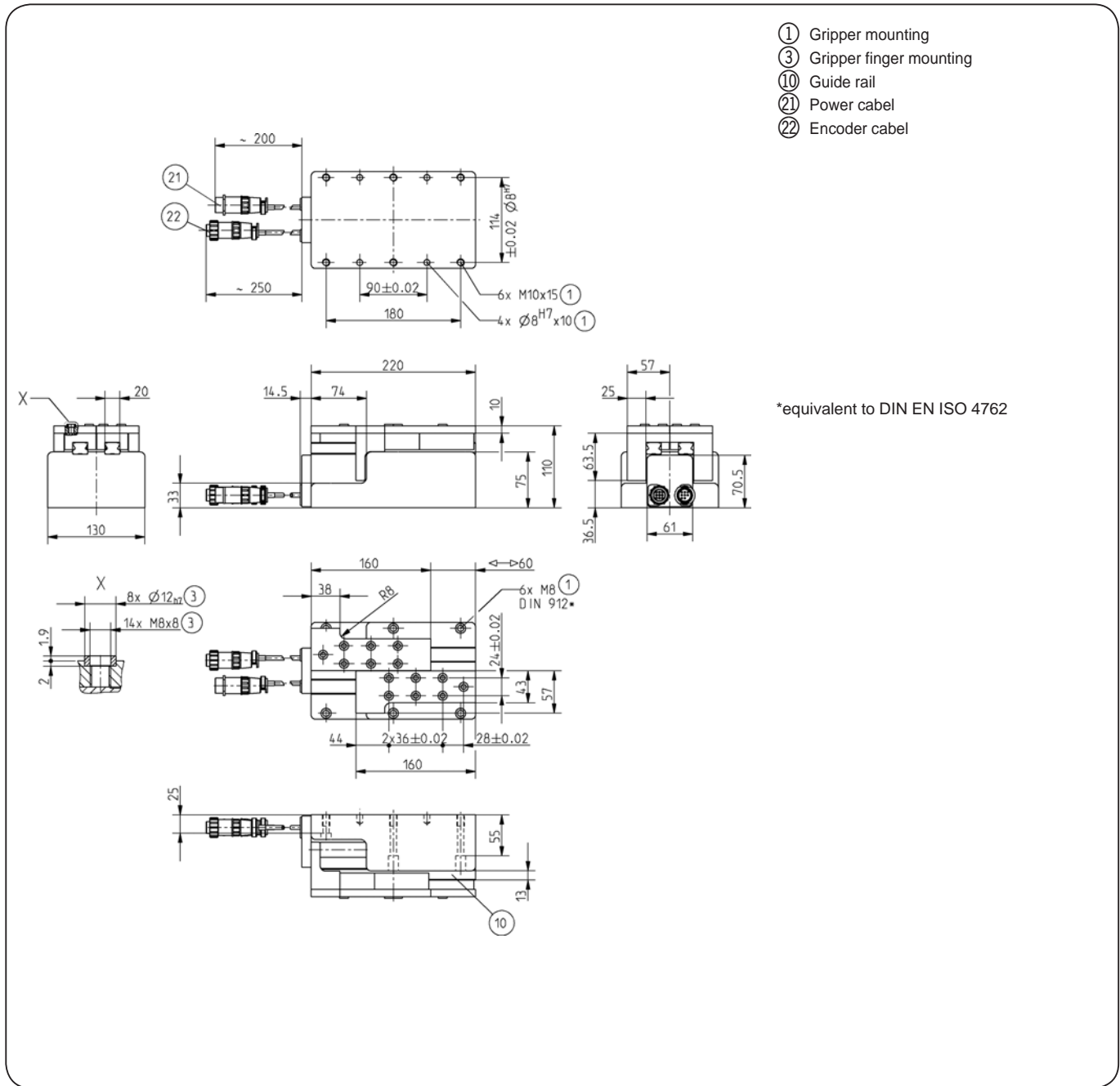
*is used for startup of Indra-Drive Systems

Subject to change without prior notice

Order no.:	GEH8660
Drive:	AC-Servomotor
Stroke per jaw [mm]:	60
Max. retention force (at 100 % opening usage) [N]:	3200
Retention force min. [N]:	100
Self limitation:	Rack/worm gear
Force transfer:	Rack/worm gear
Closing and opening time at max. stroke [s]:	1,5
Repeatability +/- [mm]:	0.05
Min./max. operating temperature [°C]:	5-80
Protection class:	IP65
Weight [kg]:	10

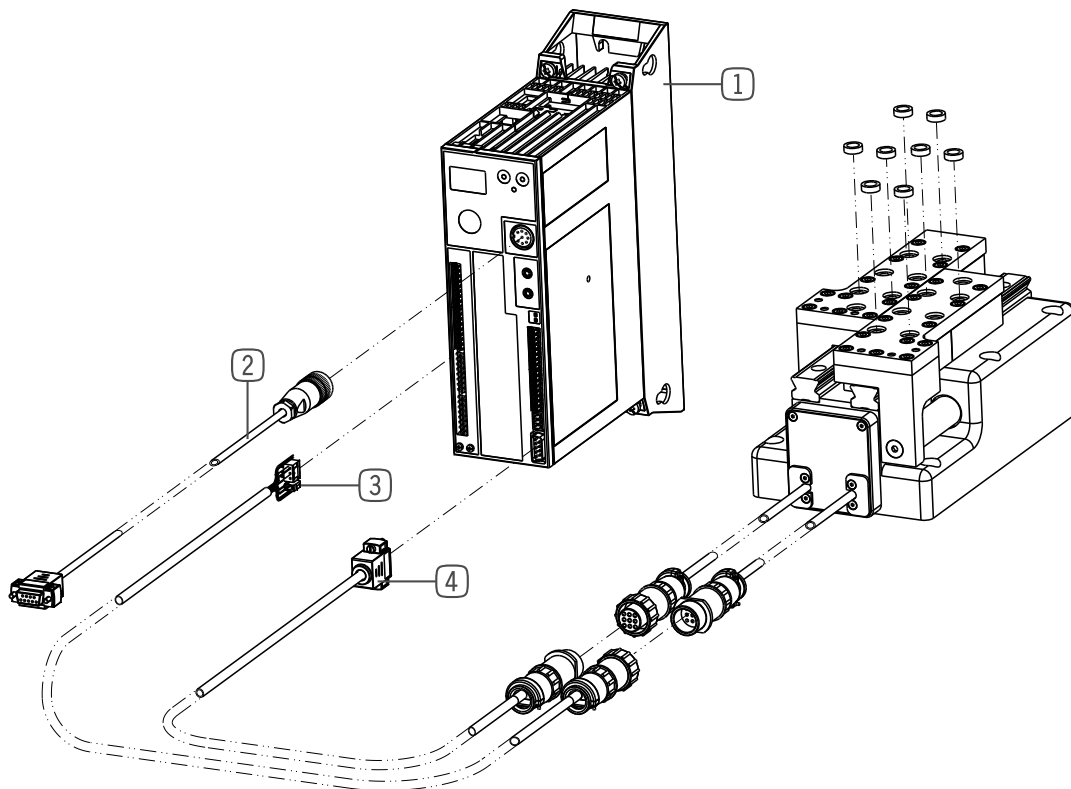
Power supply servo regulator:	
Net input voltage:	1 x 200-240 VAC 50 Hz
Continuous current [A]:	0,9
Surge current [A]:	3,0

Transmission:	
Load transmission input rotation [Umdr.]:	375
Load transmission output rotation [Umdr.]:	49
Feed constant [mm/Umdr.]:	3,1415



Subject to change without prior notice

2-Jaw Parallel Grippers with Long Stroke



Recommended accessories:

① Drive controller

Version: Profibus, Sercos III, Profinet IO, EtherNet/IP, EtherCat	
To match	Order no.:
for all	ZUBHCS*

② Interface cable PC-control unite

Version: Cable 1 m	
To match	Order no.:
for all	ZUBHCSKAP01

③ Power cable

Version: Cable 5 m	
To match	Order no.:
for all	ZUBHCSKAL05
Version: Cable 10 m	
To match	Order no.:
for all	ZUBHCSKAL10
Version: Cable 25 m	
To match	Order no.:
for all	ZUBHCSKAL25

* incl. Battery Order no.: SUP-E03-DKC

④ Encoder cable

Version: Cable 5 m	
To match	Order no.:
for all	ZUBHCSKAG05
Version: Cable 10 m	
To match	Order no.:
for all	ZUBHCSKAG10
Version: Cable 25 m	
To match	Order no.:
for all	ZUBHCSKAG25

